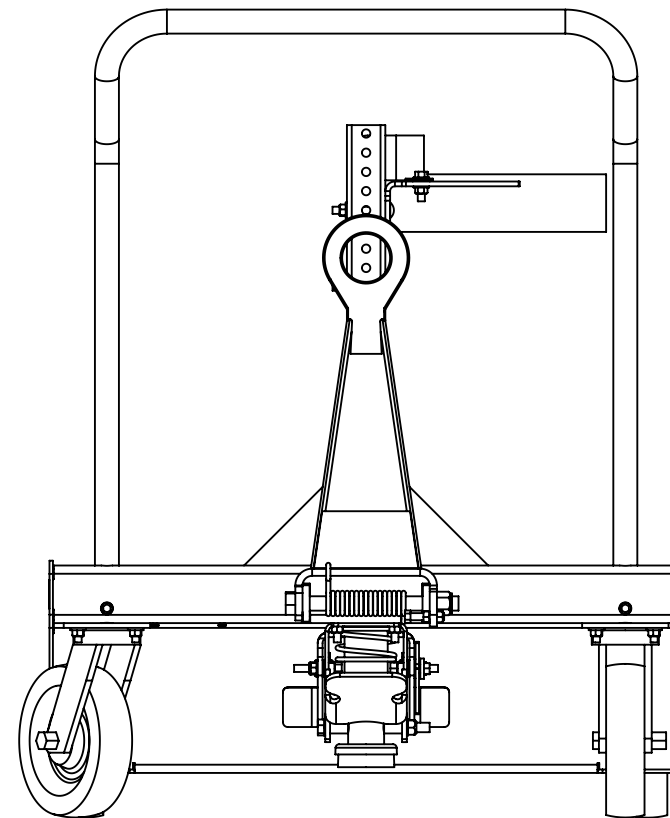
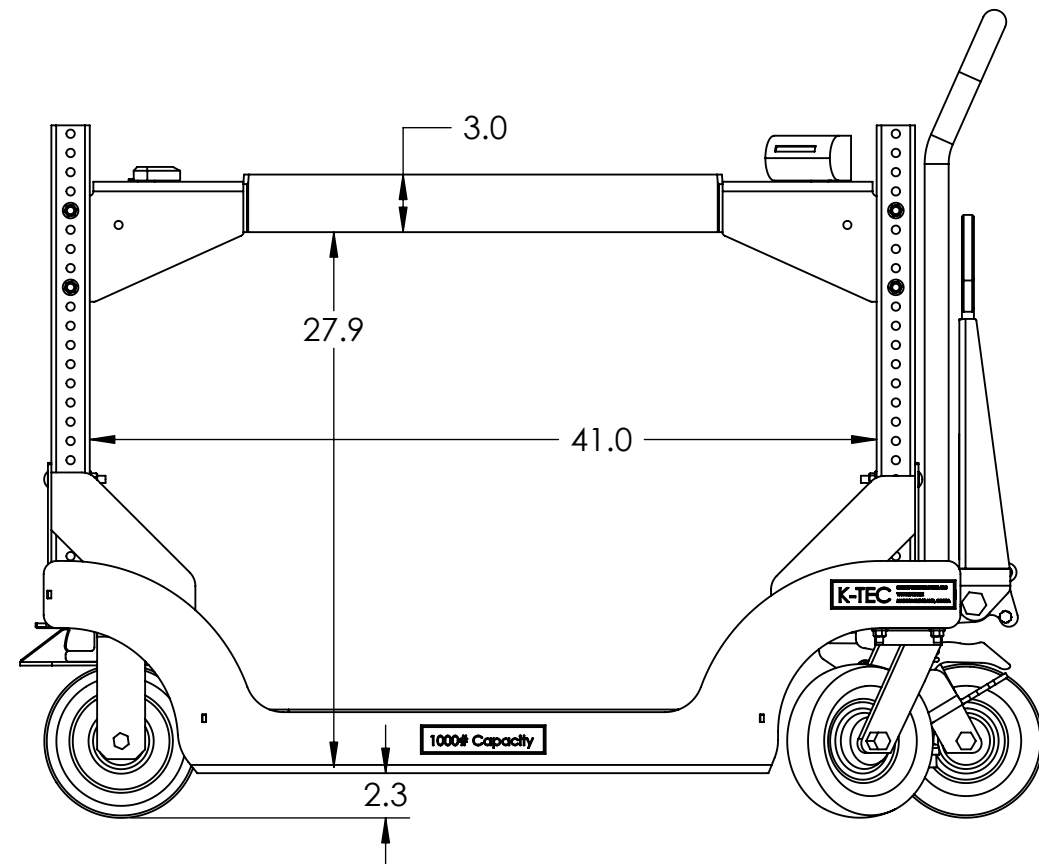
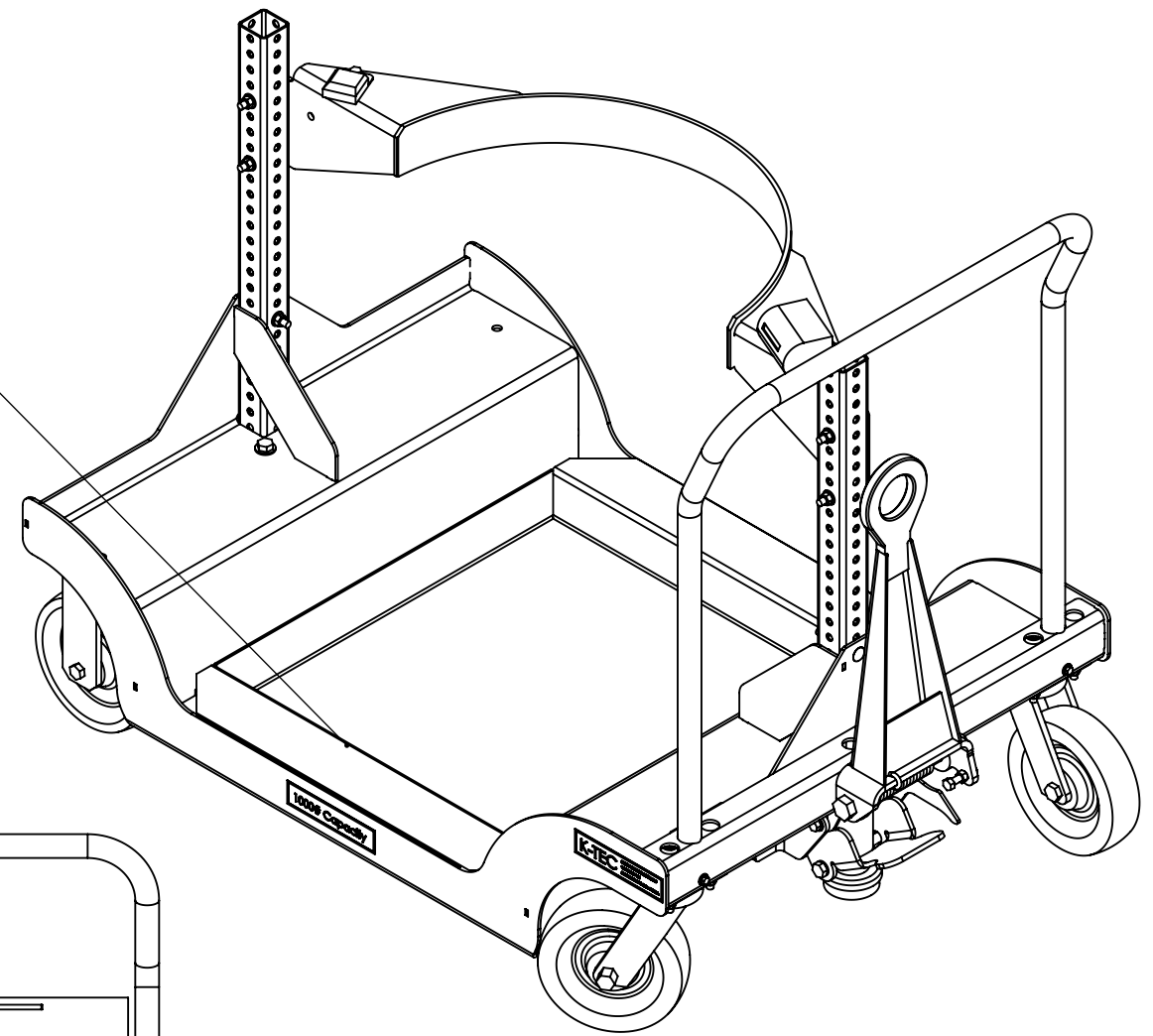


25 X 25 X 3
CONTAINMENT PAN



UNLESS OTHERWISE SPECIFIED:

DIMENSIONS ARE IN INCHES
TOLERANCES:
FRACTIONAL ±1/32
ANGULAR: MACH ±1/2 BEND ±1
TWO PLACE DECIMAL ±.015
THREE PLACE DECIMAL ±.005

MATERIAL

FINISH

DO NOT SCALE DRAWING

	NAME	DATE
DRAWN	M BAILOR	9/20/07
CHECKED		
ENG APPR.		
MFG APPR.		
Q.A.		
COMMENTS:		

KINETIC TECHNOLOGIES
CLEVELAND OHIO 440.943.4111
STANDARD DRUM CART
USER DRAWING

SIZE	DWG. NO.	REV
B	1226 USER	0
WEIGHT: 266.78LBS.		SHEET 1 OF 1

PROPRIETARY AND CONFIDENTIAL
THE INFORMATION CONTAINED IN THIS DRAWING IS THE SOLE PROPERTY OF KINETIC TECHNOLOGIES. ANY REPRODUCTION IN PART OR AS A WHOLE WITHOUT THE WRITTEN PERMISSION OF KINETIC TECHNOLOGIES IS PROHIBITED.

DATE
PROJECT NUMBER
QTY PER CART
NO. OF CARTS