

ProFlow™ Series

WAREHOUSE / DC CARTS & TRAILERS



Where Materials Flow by Design



LEAN LOGISTICS

K-Tec introduces a new wave of material handling picking carts and trailers designed specifically for warehouse/DC's. Industry-leading attention to creative design, ergonomics and safety separate *ProFlow™* Series carts from other units still using outdated technology.

INDUSTRIAL TOOLS

K-Tec's *ProFlow™* Series carts are loaded with the brightest ideas to help accomplish your lean goals.

- Rugged Welded Steel Design
- Extra Safety Features
- Replaceable Common Parts
- Low Maintenance
- Standard / Custom Products
- Two-year warranty

LOW LIFE CYCLE COSTS

K-Tec technology reduces or eliminates the typical downtime often associated with round-the-clock warehouse/DC shuttle applications. Our exclusive welded panel deck and heavy duty component design protect your investment by allowing more on-the-job productivity to yield low cost of ownership.

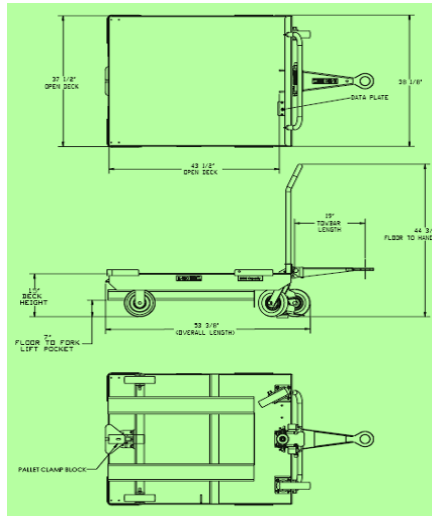


GREEN SOLUTIONS

Emissions are a primary cause of environmental pollution and serious health issues. Reducing emissions starts by using *ProFlow™* Series carts and trailers from K-Tec.

WHY GREEN

Our carts and trailers extend the safe limits of human power to move loads manually. Tugging trains of heavy boxes and pallets consumes less energy than moving with fork trucks translating into reduced handling costs and lower overall emissions along the way.



MAKE THE CHANGE

ProFlow™ carts and trailers can help you move materials efficiently and safely at lower costs while providing a friendlier working environment.

K-Tec prides itself on being more than just a manufacturer. Through our extended distributor network we are also fleet managers, parts suppliers, capital procurement specialists and trainers.

When it comes to service after the sale, you will find K-Tec at the top of the list.



ProFlow™ Series
LEAN and GREEN

Distributed By:



Where Materials Flow by Design

1350 Rockefeller Rd., Wickliffe, OH 44092, PH 440.943.4111, info@Kteclnc.com, www.Kteclnc.com

L1701
dec-08